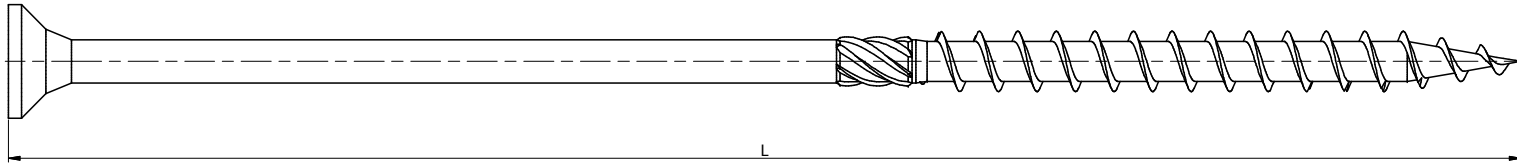


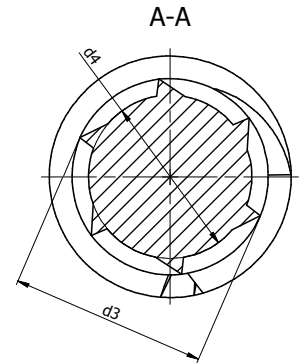
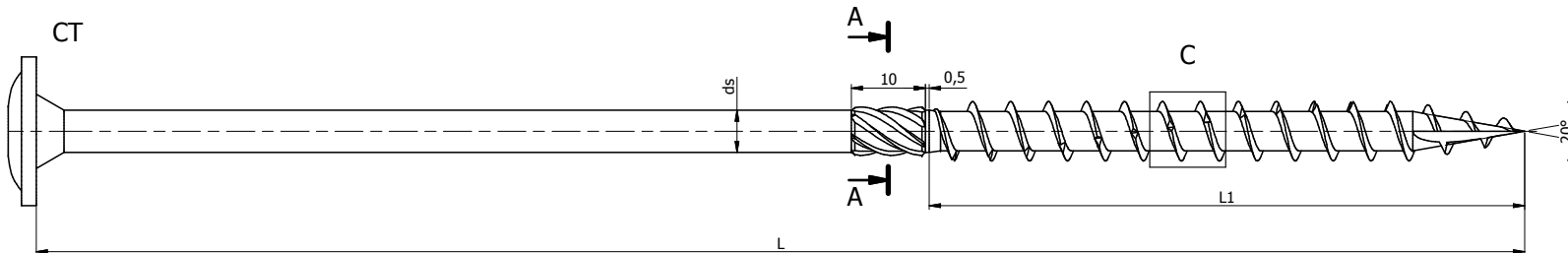
This document is the absolute property of DOMAX Sp. z o.o. This document must not be copied without the written permission of DOMAX Sp. z o.o. The contents thereof must not be disclosed to a third party nor be used for any unauthorized purpose. Contravention will be prosecuted.

Rev	Explanation	Date	Revised by	Approved by

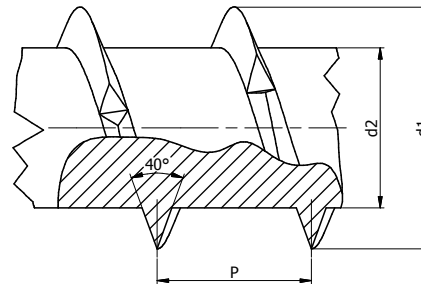
CS



CT



det.C



[mm]	Size 6	Size 8	Size 10
d1	6	8	10
d2	4	5,3	6,4
ds	4,3	5,7	7
d3	5,2	6,5	7,9
d4	4,1	5,4	6,4
P	4,7	5,1	6,6
L	160 - 300	160 - 400	160 - 400
L1	70	80	80

-	Rod	-	-	20MnB4	-	-
Item	Identification	Amt.	Specification	Raw material	Surface [dm2]	Weight [kg]
Design	K. Rytlewski	Checked	M. Łoboda	Approved	M. Dobrowolski	Code
Drawn	K. Rytlewski					Sheet
Index	09.12.2016					1/1
	Date					Rev
domax		Wkręt DMX załącznik nr 2				
DOMAX Sp. z o.o.		DMX				